

# LFXPRO SERIES Outdoor Lighting

LFXPRO-XL-150-300W-MCTP-WH  
POWER & CCT ADJUSTABLE FLOOD/AREA LIGHT

**MCTP** Multi Color Temperature & Multi Power/Wattage (Selectable)

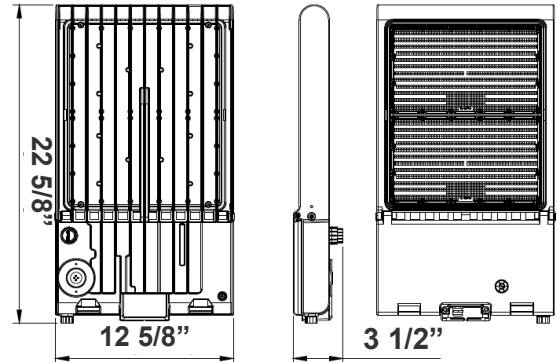


Customer Name: \_\_\_\_\_

Project Name: \_\_\_\_\_

Note: \_\_\_\_\_

Type: \_\_\_\_\_



22 5/8" (L) x 12 5/8" (W) x 3 1/2" (H)

Ideal for general site lighting, alleys, loading docks, doorway, pathway, and parking areas.

## Features

- LED Flood Light
- With snap-on & bolt mounting options for one-person installations.
- Select a mounting option (Sold separately)
- 70,000 Hours Rated Life
- 7-Year Warranty
- Optic Lens Type: III
- Multi-CCT & Multi-Power - The Switches are on the Bottom of the Fixture

## Technical Specifications

### Electrical:

- Voltage: 100-277V AC 50/60Hz
- Wattage: 150W/ 200W/ 240W/ 300W
- Power Factor: >0.9
- Output Current: 0.25A
- Efficacy: 125 LPW
- THD: <20%

### Mechanical:

- Housing: Die-cast Aluminum Housing with Powder Coat Finish (White)
- 10KV Lightning Surge Protection
- Operating Temperature: -40°F to 104°F
- IP Rating: IP65
- Suitable for Wet Locations
- Effective projected areas (EPA's) are:
  - Front = 0.38 square feet
  - Side = 0.30 square feet
  - Face = 1.05 square feet

### Lighting:

- Dimmable: 0~10V
- Solid State Lighting technology for long life, no Maintenance needed and High-Efficiency
- Lens Type: Optical TYPE III Lens, High Light Transmittance PC, Anti-UV and Flame Resistant
- Cord Type: 3.2' SJTW 18/3 AWG cable
- Total lumens: 38000LM Max.
- Color temperature: 3000K/ 4000K/ 5000K/ 5700K
- Color rendering index: CRI ≥ 70
- Beam Angle: 90°x120°

### Applications:

- Ideal for general site lighting, alleys, loading docks, doorway, pathway and parking areas.
- Replace existing HID flood lights/ wall packs

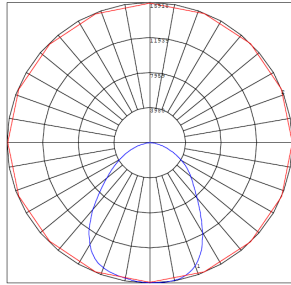
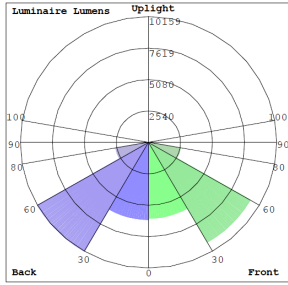
### Other Models:

- 150W | 19200LM | LFXPRO-LG-50-150W-MCTP-WH

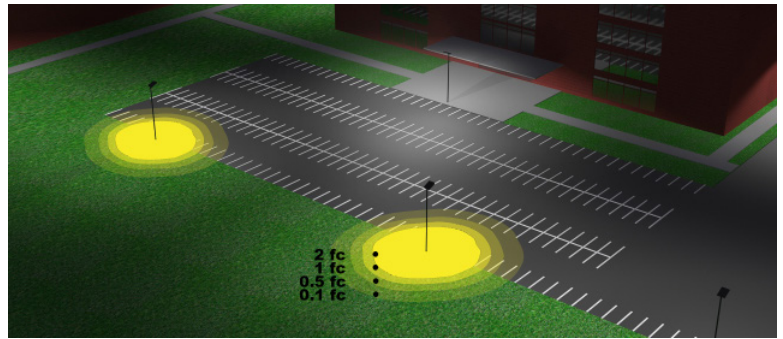


## Photometrics: LFXPRO-XL-150-300W-MCTP-WH

TYPE III



BUG Rating: B4-U0-G1



Area 65'x 75' Mounting Height: 20'

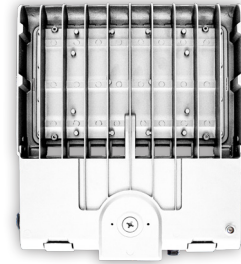
## Other Views:



Side View



Front View



Back View

## Performance Table: LFXPRO-XL-150-300W-MCTP-WH

MODEL NO.	Wattage	Voltage	Lumens	Color Temp.	BUG Rating	LPW
LFXPRO-XL-150-300W-MCTP-WH	150W 200W 240W 300W	120~277V	18750LM 25000LM 30000LM 37500LM	3000K 4000K 5000K 5700K	B4-U0-G1	125

## Sample Ordering

Model	Size	Min. Wattage	Max. Wattage	Color Temp.	Housing
LFXPRO	XL	150	300W	MCTP	WH

## EPA Rating:

Model	0.8	1.25	1.44	1.89	1.7	2.34
LFX-XL	0.8	1.25	1.44	1.89	1.7	2.34



## Accessories Options

Blank = No Option For Accessories  
 WEC-8RC = Optional Motion Sensor Remote Control

## Factory-Installed Options

Blank = No Option For Accessories  
 OPT-EM-OD2EXT = Emergency Battery Backup  
 OPT-3MPC = Microwave Photocell with a 1/2" threaded  
 OPT-SEN-3MR-3 = Programmable Microwave Bi-Level Sensor

## Example:

- 1.LFXPRO-XL-150-300W-MCTP-WH (For LFXPRO 300W MCTP fixture 120-277V)
- 2.LFXPRO-XL-150-300W-MCTP-WH (For LFXPRO 300W MCTP fixture 120-277V)  
 WEC-8RC (Remote Control)

## ACCESSORIES:



WEC-8RC

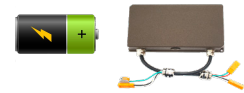
## Factory-Installed Options:



OPT-SEN-3MR-3

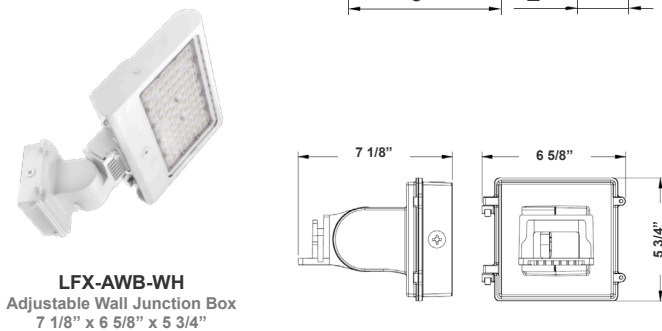
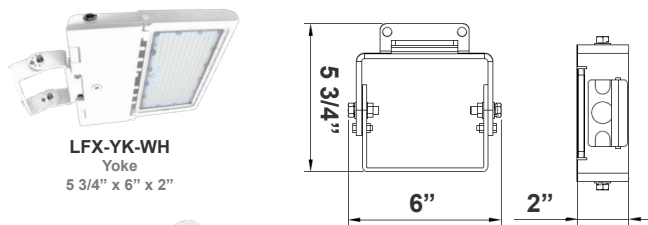
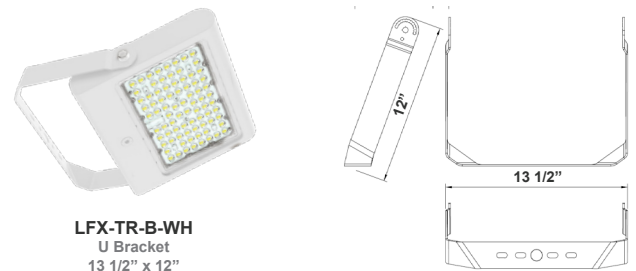
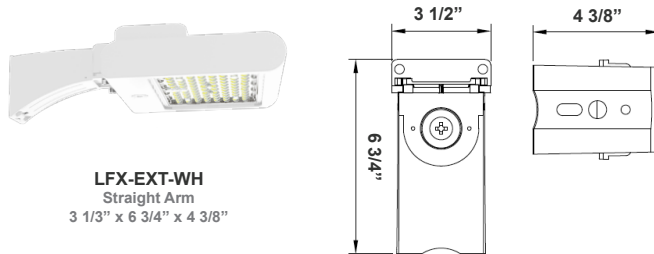
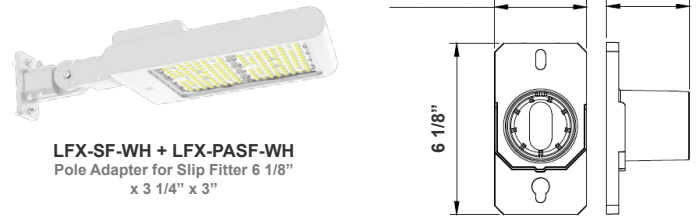
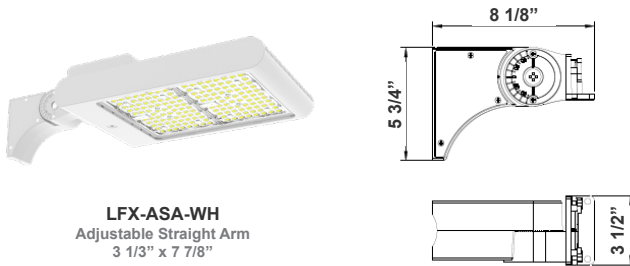


OPT-3MPC



OPT-EM-OD2EXT

## Mounting Options:



**Color Options:** LFXPRO-XL-150-300W-MCTP-WH  
 Custom Color Available

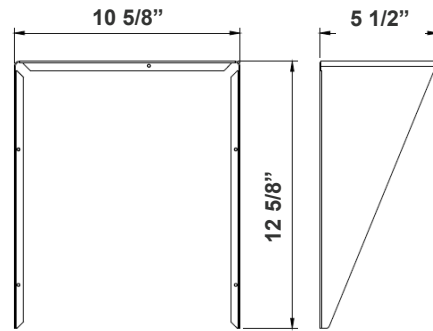
Black    Silver    White    **Dark Bronze**    Green    Red    Yellow  
Default color



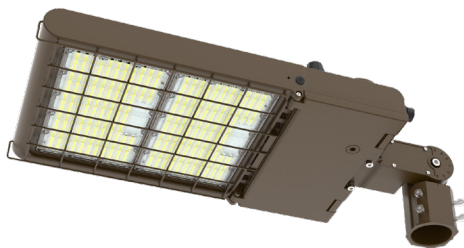
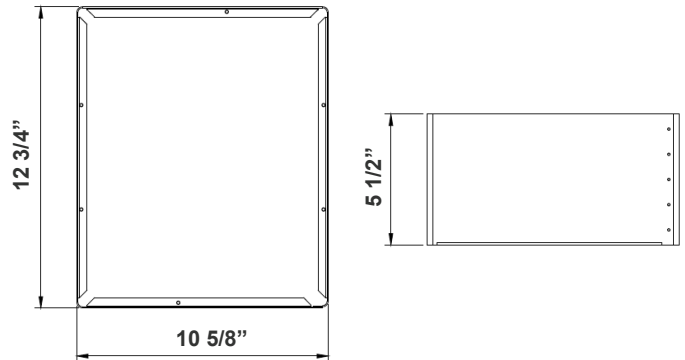
**Shroud & Wire Guard:**



**LF-SHROUD-B**  
 Shroud  
 12 5/8" x 10 5/8" x 5 1/2"  
 Can be painted



**LF-SHROUD-E**  
 Full-Glare Shroud  
 12 3/4" x 10 5/8" x 5 1/2"  
 Can be painted



**LFXPRO-WG-B**  
 Wire Guard  
 Can be painted



**COLOR CHART:** \* Choose from one of our Premium Colors with no set-up fee.

**Gloss:**



**Hammer:**



**Texture:**



**Vein:**

